

## PANEL-METERS WITH MAXIMUM STORE

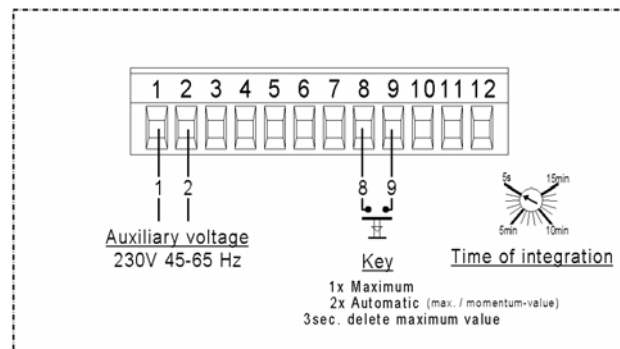
### **Application:**

The analog indicating instrument PQ 96 MS DIN serves to display an analog value and to memorize its maximum value.

### **Function:**

The quantity to be measured gets via an effective-value rectifier and amplifier to a microprocessor where the quantity to be measured is evaluated in connection with the adjustable integration time and the storing of its maximum value. Moreover the operating condition of the instrument which is selectable by a key button to be connected, is controlled by the microprocessor. You can choose between the continuous display of the instantaneous value, the short-time non-recurring display of the integrated maximum value as well as the continuously changing display of instantaneous and maximum value. For resetting the maximum value, press down the key button > for 3 seconds. The display of the instantaneous value is signalled by a green LED and the display of the maximum value by a red LED. The variable processed in this way is displayed by means of a moving-coil instrument. An auxiliary voltage will be required.

### **Connection:**



**MÜLLER ZIEGLER**   
Elektrische Messgeräte

MÜLLER + ZIEGLER GmbH & Co. KG, Industriestr. 23, D-91710 Gunzenhausen  
Tel. +49 9831.5004-0 Fax +49 9831.5004-20

<http://www.mueller-ziegler.de> , e-mail: [info@mueller-ziegler.de](mailto:info@mueller-ziegler.de)